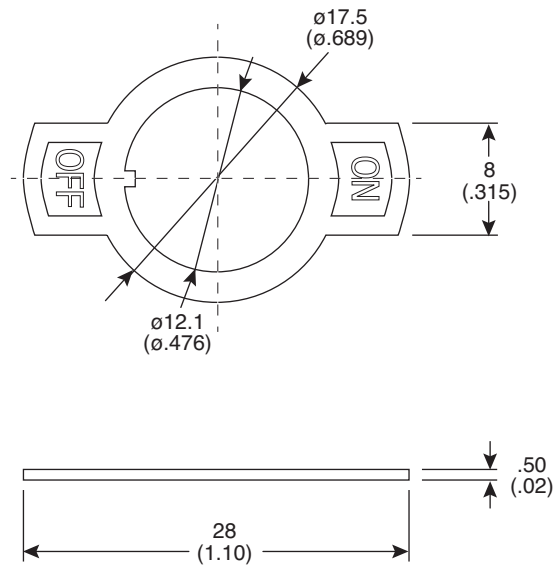


Dimensions: mm (in.)



Electrical Specifications:

- Tolerance: $\pm 0.3\text{mm}$

Note:

- Word Color: White

On-Off Plate
103-01321-EV

